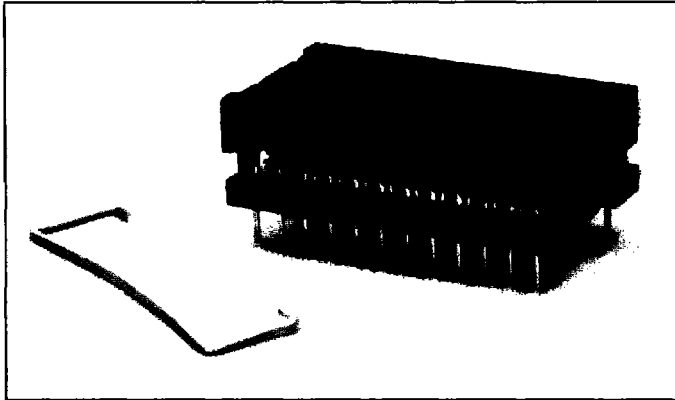


CABLE PLUGS



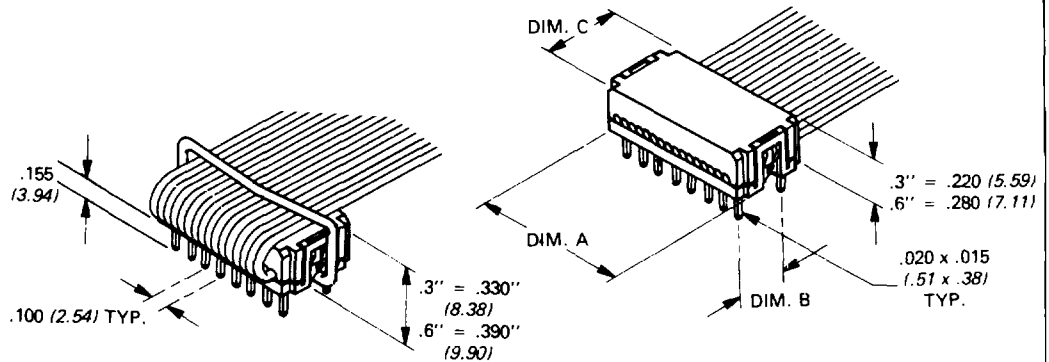
DIP Cable Plugs

IDP Series



- DIP plugs mate directly to standard IC sockets conserving real estate through interboard bussing
- Available in 14, 16, 24 or 40 positions
- Optional strain relief
- Retaining clips available for 14 and 16 pin versions

Tabulations			
No. of Contacts	Dim. A Inches (mm)	Dim. B Inches (mm)	Dim. C Inches (mm)
14	.780 (19.81)	.300 (7.62)	.420 (10.67)
16	.880 (22.35)	.300 (7.62)	.420 (10.67)
24	1.280 (32.51)	.600 (15.24)	.720 (18.29)
40	2.080 (52.83)	.600 (15.24)	.720 (18.29)



How to Order IDP Series

IDP — C 24 3 — TG

Number of Contacts: _____
14, 16, 24, 40

3 = 14 or 16 contacts
6 = 24 or 40 contacts

Plating Code:
Specify T, TG,
Contact factory for TG30

How to Order Accessories

Strain Relief Only

SR — 143 — IDP

Product Size: _____
14, 16, 24, 40

Retaining Clip Only

RC — 143 — IDP

Product Size: _____
14, 16

Materials:

Body and Lid: Glass filled, black polyester

Strain Relief: Stainless Steel

Contacts: Phosphor Bronze

Performance Characteristics:

Temperature Range: -65°C to + 105°C

Flammability: UL 94V-0

Plating Description:

Suffix: T = 100 μinch (2.54 μm) minimum
Tin/Lead on contact area and terminal area.

TG = 10 μinch (.254 μm) minimum
Gold on contact area.
100 μinch (2.54 μm) minimum
Tin/Lead on terminal area.

Agency Approvals:

#E73746

#46898

All options include an Underplate of
50 μinch (1.27 μm) minimum Nickel.